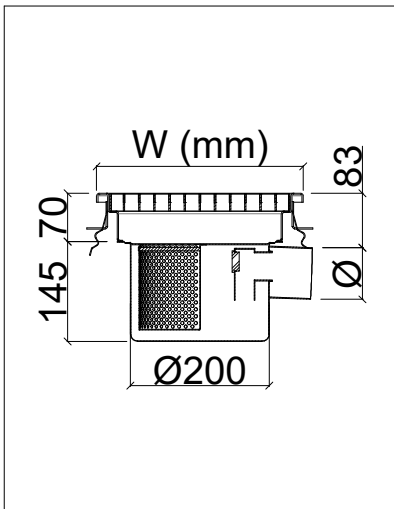
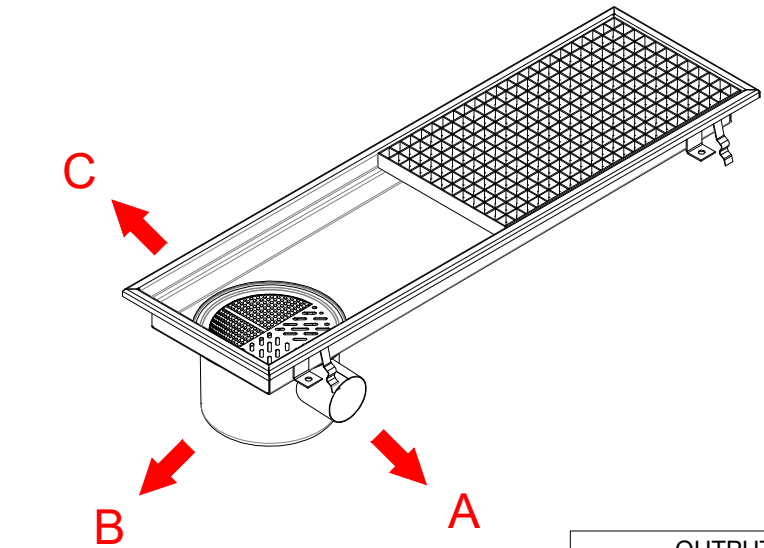


LOW TYPE						
MODEL	W x L	H ₁ -H ₂	Ø			
			DN50	DN70	DN100	
TKYG-310	300 x 1009	50-60	Ø50	Ø75	Ø110	
TKYG-312	300 x 1271					
TKYG-314	300 x 1496					
TKYG-317	300 x 1757					
TKYG-319	300 x 1981					
TKYG-323	300 x 2244					
TKYG-324	300 x 2468					
Max. Flow Rate			lt / min	50	50	70
Waterseal Height			50mm			



DEEP TYPE						
MODEL	W x L	H ₁ -H ₂	Ø			
			DN50	DN70	DN100	
TKYG-310-D	300 x 1009	60-70	Ø50	Ø75	Ø110	
TKYG-312-D	300 x 1271					
TKYG-314-D	300 x 1496					
TKYG-317-D	300 x 1757					
TKYG-319-D	300 x 1981					
TKYG-323-D	300 x 2244					
TKYG-324-D	300 x 2468					
Max. Flow Rate			lt / min	50	50	70
Waterseal Height			60mm			

